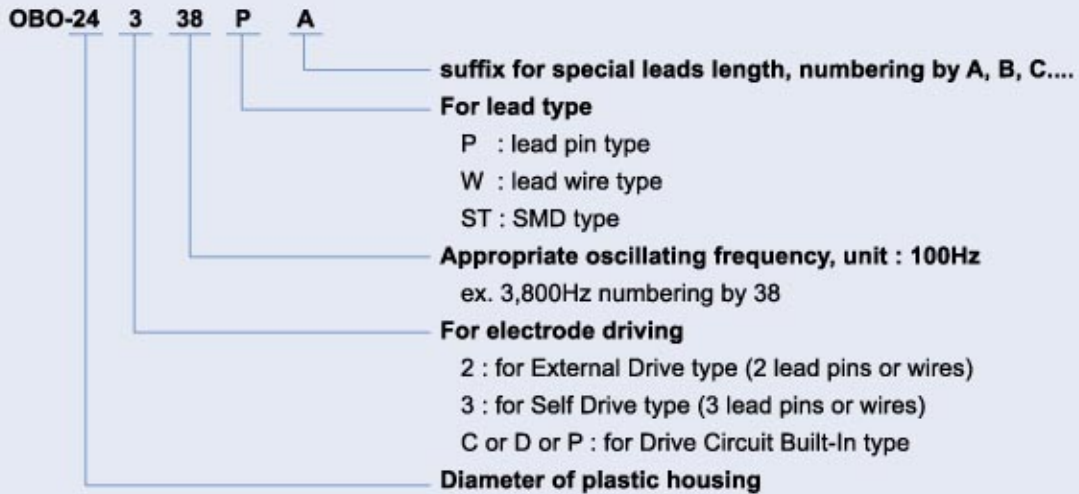
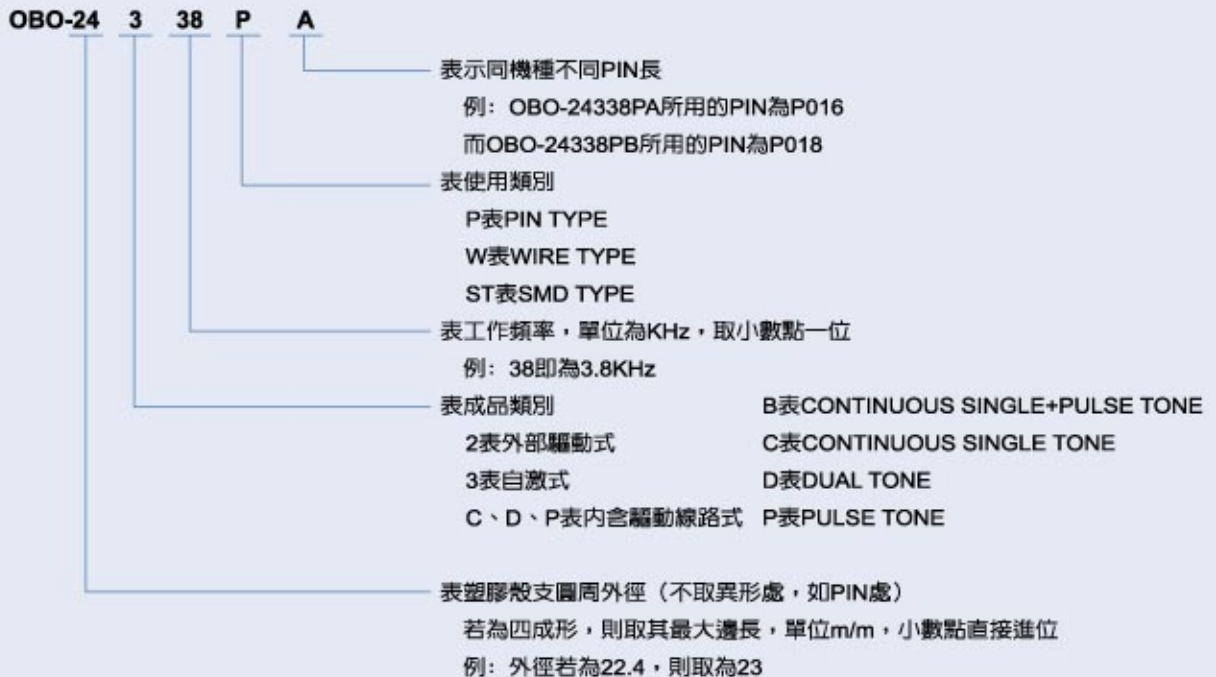


PART NUMBERING SYSTEM



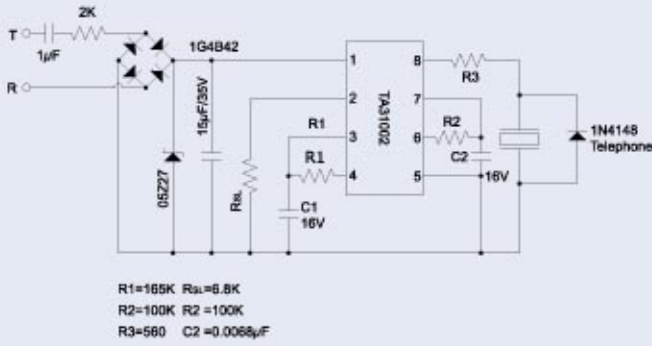
成品編號原則



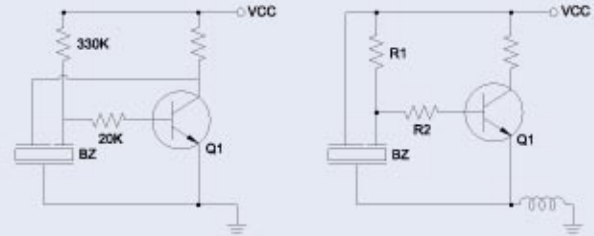
RECOMMENDED CIRCUIT PIEZOELECTRIC BUZZER

應用線路

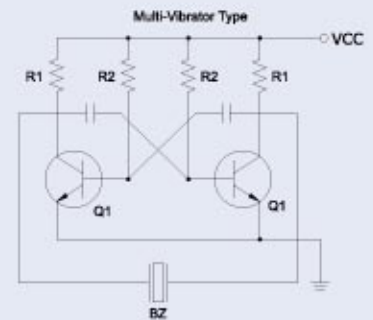
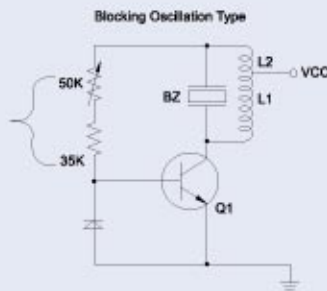
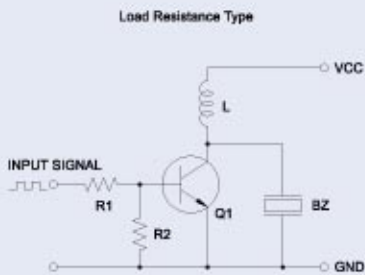
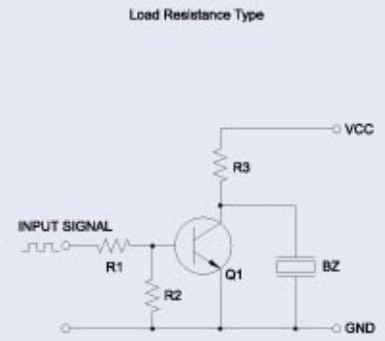
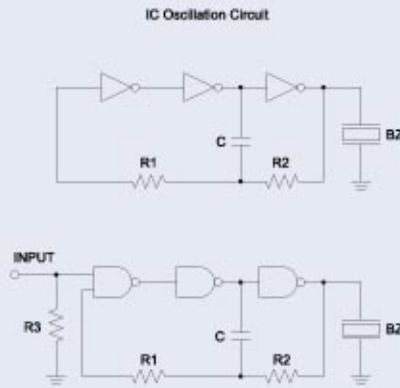
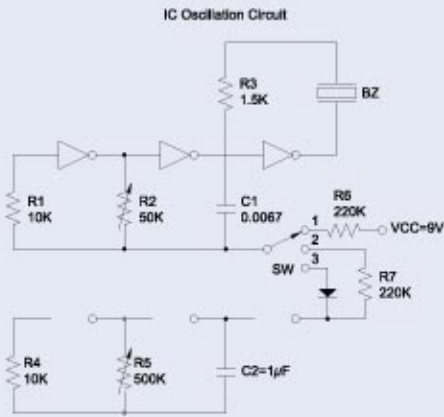
(1) Telephone Ringer Type



(2) Self-Oscillation Circuit (Tr-Type)



(3) External-Drive Circuits



SMD EXTERNAL DRIVE TYPE

SMD 外部驅動式

圖解式音響器 Piezoelectric Buzzer



SOUND PRESSURE LEVEL	輸出音壓
CAPACITANCE	靜電容量
ALLOWABLE INPUT VOLTAGE	承受電壓
CURRENT CONSUMPTION	消耗電流
CASE MATERIAL	塑膠規格
LEAD PIN MATERIAL	導針規格
OPERATING TEMP. RANGE	操作溫度
STORAGE TEMP. RANGE	儲存溫度
WEIGHT	重量

Dimensions (Unit: mm ± 0.5)

APPLICATIONS

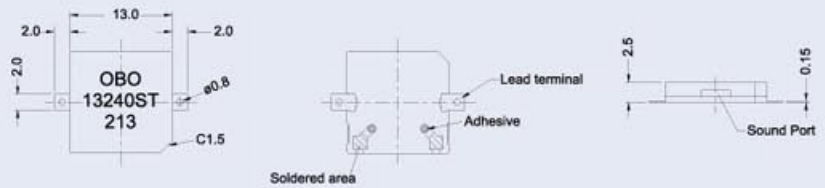
- Controller Device
- Home appliances (microwaves, ovens, refrigerators, etc.)
- Communication equipments
- Computer peripherals and office equipments
- Instruments, etc.

適用範圍

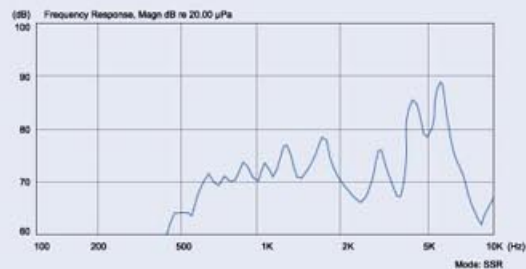
- 控制器
- 家電用品 (微波爐、電暖爐、冰箱等)
- 通訊設備
- 電腦周邊零組件、辦公室設備
- 儀器設備

OBO-13240ST

80dB min. at 4.0KHz / 9Vp-p
Square Wave / 10cm
12,000pF ± 30% at 1.0KHz
15Vp-p max.
3mA max. at 4.0KHz / 9Vp-p
Square Wave
LCP
Phosphor Bronze
(Plating of gold)
-20°C to +70°C
-40°C to +85°C
0.6gm



Sound Pressure Level vs. Frequency



SMD EXTERNAL DRIVE TYPE

SMD 外部驅動式



SOUND PRESSURE LEVEL	輸出音壓
CAPACITANCE	靜電容量
ALLOWABLE INPUT VOLTAGE	承受電壓
CURRENT CONSUMPTION	消耗電流
CASE MATERIAL	塑膠規格
LEAD PIN MATERIAL	導針規格
OPERATING TEMP. RANGE	操作溫度
STORAGE TEMP. RANGE	儲存溫度
WEIGHT	重量

Dimensions (Unit: mm ± 0.5)

Sound Pressure Level vs. Frequency

APPLICATIONS

- Music toys
- Home appliances
(microwaves, ovens, refrigerators, etc.)
- Communication equipments
- Computer peripherals and office equipments
- Instruments, etc.

適用範圍

- 音樂玩具
- 家電用品
(微波爐、電暖爐、冰箱等)
- 通訊設備
- 電腦周邊零組件、辦公室設備
- 儀器設備

OBO-14240ST

80dB min. at 4.0KHz / 9Vp-p Square Wave / 10cm
70dB min. at 4.0KHz / 1Vrms Sine Wave / 10cm
12,000pF ± 30% at 120Hz
15Vp-p max.
3mA max. at 4.0KHz / 9Vp-p Square Wave
HTN (UL 94V-0)
Phosphor Bronze
-20°C to +70°C
-40°C to +85°C
1.1gms

OBO-17240STB

82dB min. at 4.0KHz / 9Vp-p Square Wave / 10cm
72dB min. at 4.0KHz / 1Vrms Sine Wave / 10cm
9,000pF ± 30% at 120Hz
15Vp-p max.
3mA max. at 4.0KHz / 9Vp-p Square Wave
HTN (UL 94V-0)
Phosphor Bronze
-20°C to +70°C
-40°C to +85°C
1.3gms

